



IPL, Automower Solar Hybrid, 580 37 90-01, 2012-01

Solar Hybrid

2012

Spare parts

Ersatzteile

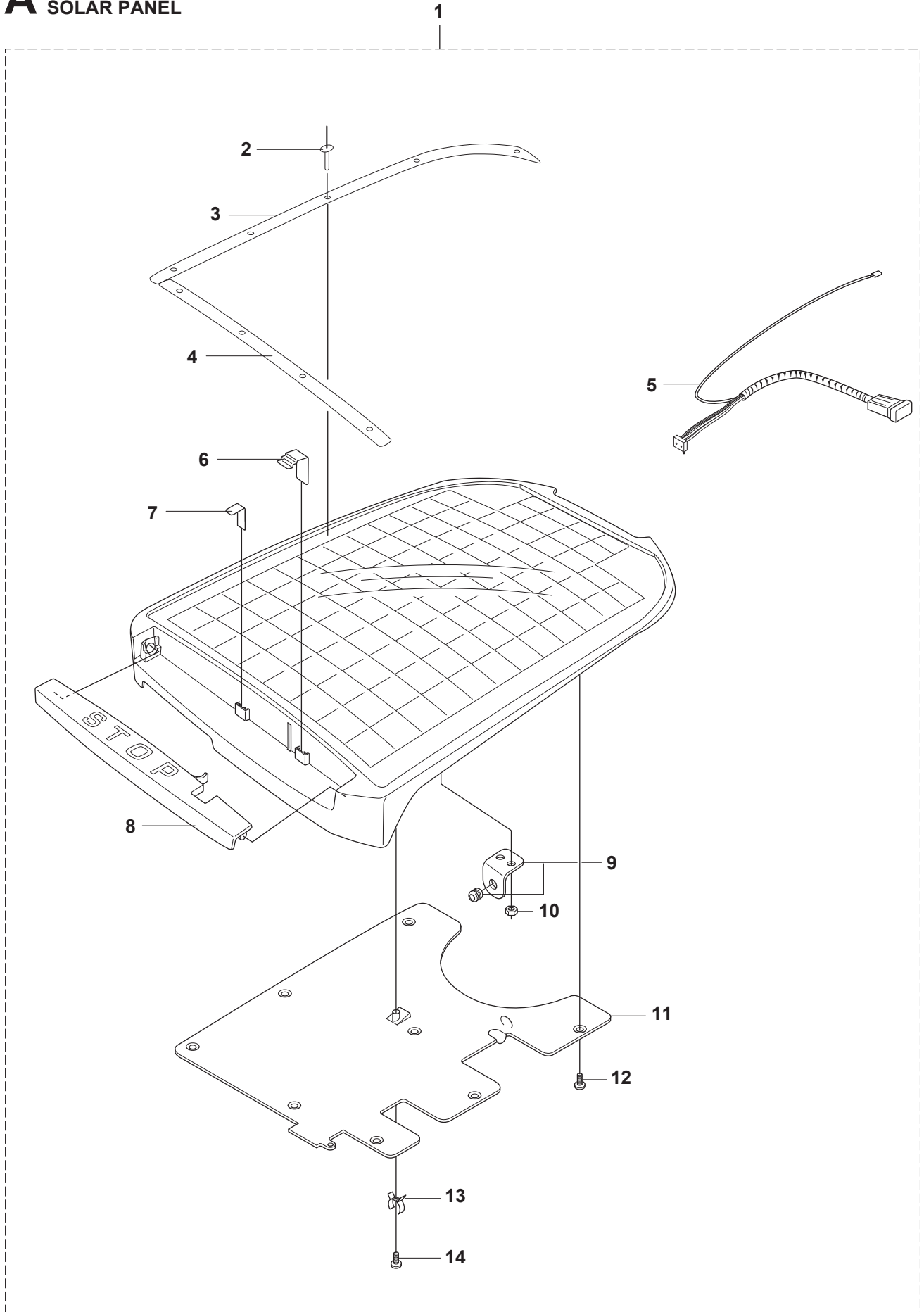
Pièces détachées

Reserve onderdelen

Repuestos

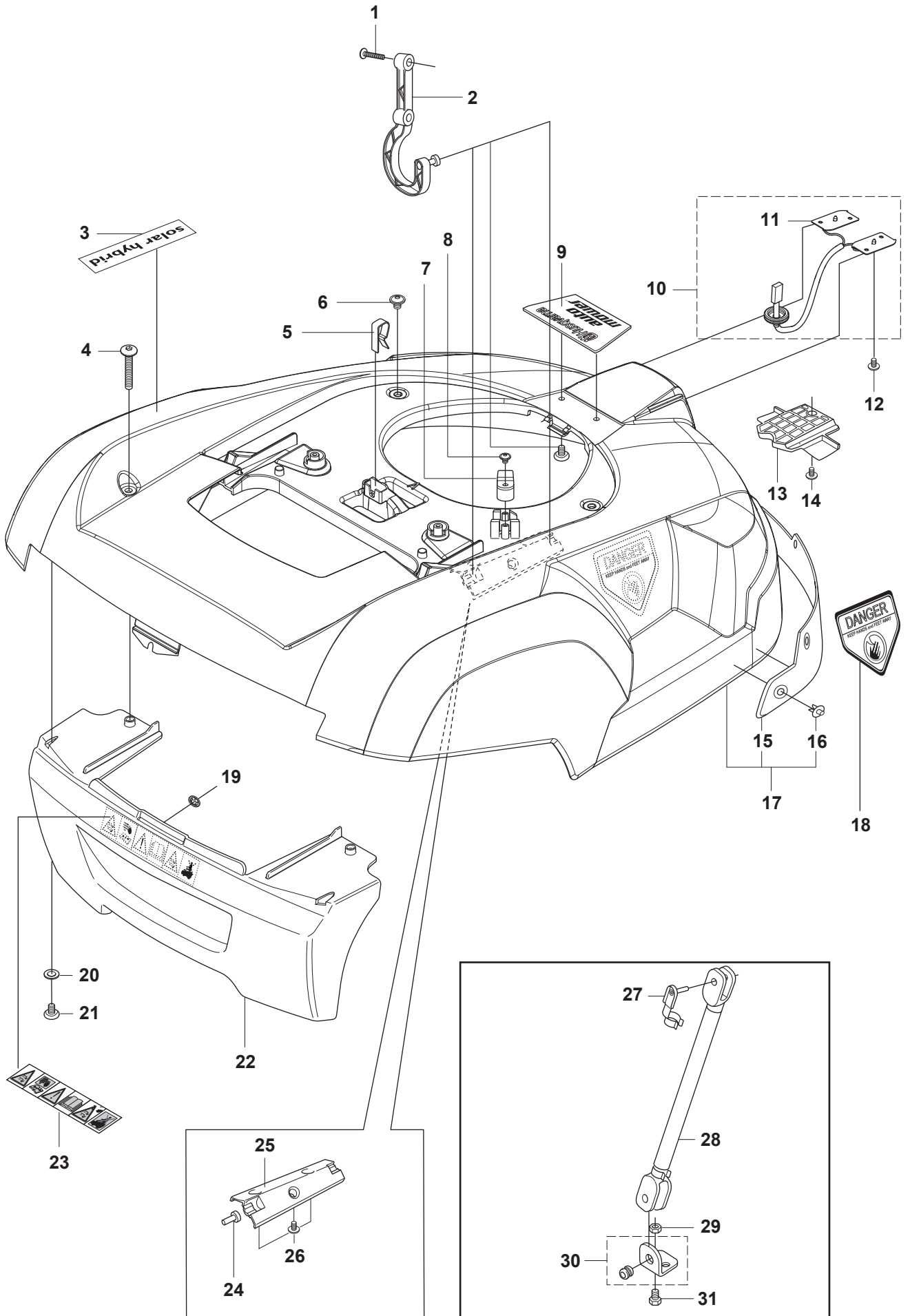
Reservdelar

A AUTOMOWER SOLAR HYBRID
SOLAR PANEL



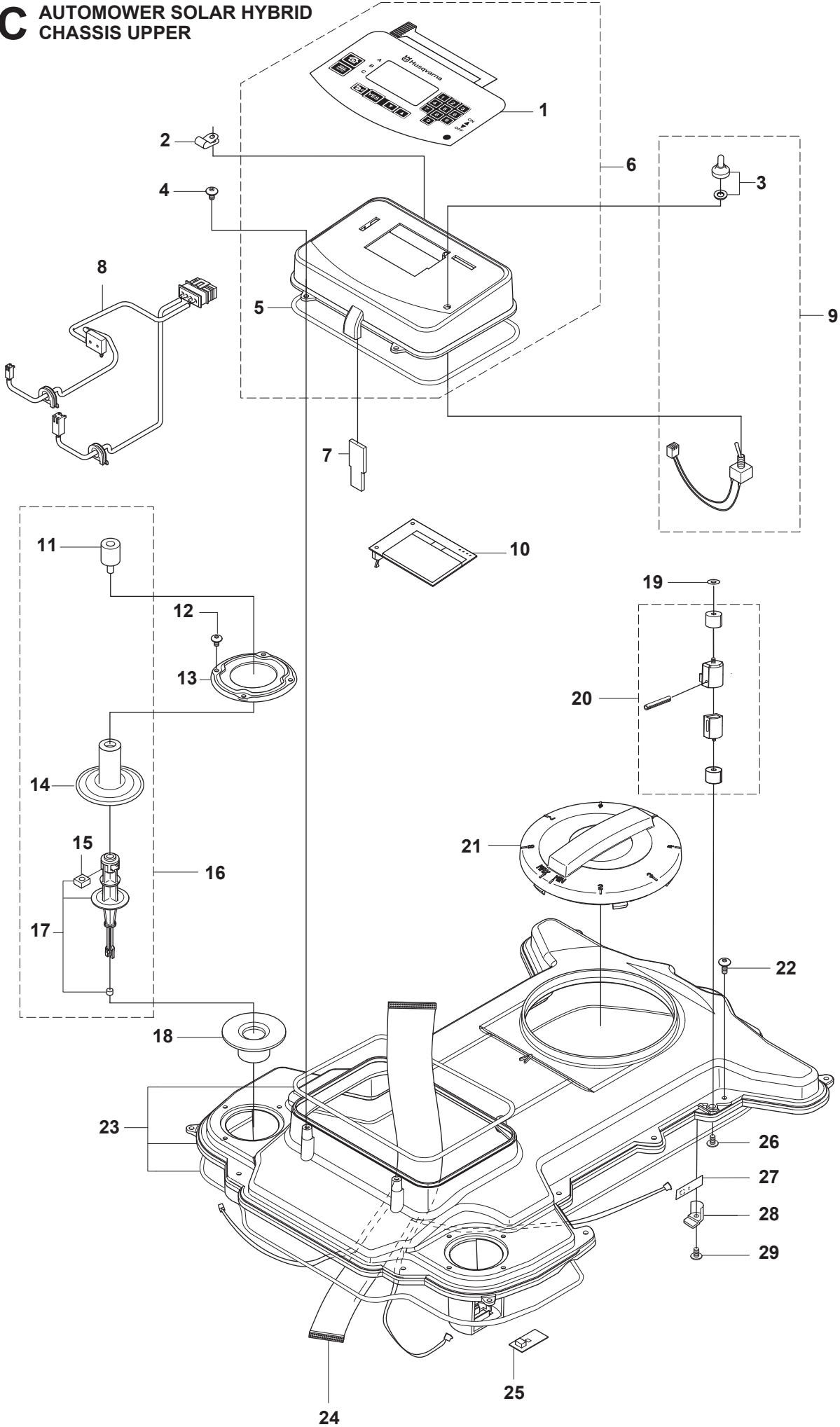
Page A AUTOMOWER SOLAR HYBRID SOLAR PANEL				
Position	Article	Quantity	Notes	Kit
1	504 62 68-01	1	Solar panel compl.	
2	505 16 16-01	14	RIVET	1
3	505 15 40-01	2	FRAME	1
4	510 16 66-01	1	FRAME	1
5	505 45 78-01	1	CABLE	1
6	504 62 72-01	1	LATCH	1
7	504 62 71-01	1	SPRING PLATE	1
8	504 62 70-01	1	BUTTON	1
9	504 70 34-02	1	BRACKET	1
10	732 21 16-01	1	NUT	1
11	504 87 76-01	1	COVER LID	1
12	575 54 33-12	9	SCREW	1
13	505 45 07-01	1	LATCH	1
14	502 85 96-01	1	SCREW	1

B AUTOMOWER SOLAR HYBRID COVER



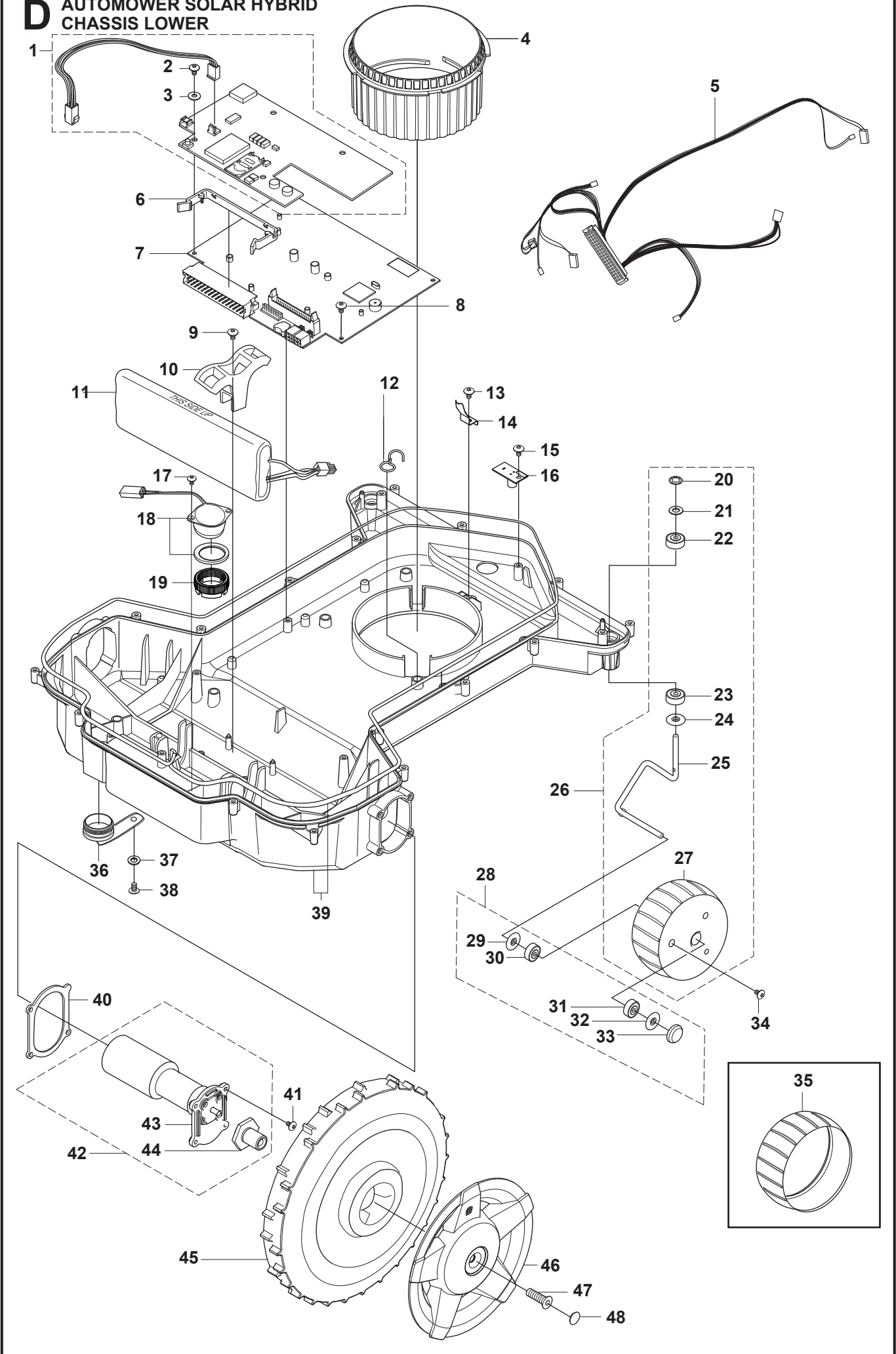
Page B AUTOMOWER SOLAR HYBRID COVER				
Position	Article	Quantity	Notes	Kit
1	575 54 33-14	2	SCREW	
2	504 62 73-01	2	HINGE	
3	505 16 15-01	1	DECAL	
4	535 12 93-05	2	SCREW IH PANM	
5	535 08 98-01	1	CLIPS	
6	535 07 60-02	2	SCREW	
7	535 12 79-01	2	BRACKET	
8	575 54 33-14	2	SCREW	
9	504 87 78-01	1	PLATE	
10	535 13 73-01	1	WIRING compl	
11	535 13 59-01	2	CHARGING PLATE	10
12	575 54 33-06	2	SCREW	
13	505 13 14-01	1	SPACER	
14	575 54 33-12	1	SCREW	
15	544 90 71-02	1	BUMPER	17
16	535 08 09-01	6	RIVET	17
17	510 09 67-03	1	BODY compl	
18	513 99 61-00	2	DECAL (US/AU/NZ)	
19	514 96 79-00	1	STARLOCK WASHER	
20	734 11 37-41	2	WASHER	
21	575 54 33-14	2	SCREW	
22	574 43 09-01	1	BUMPER	
23	522 79 27-02	1	LABEL WARNING	
24	504 87 77-01	2	PIN	
25	504 62 74-01	1	BRACKET	
26	575 54 33-14	3	SCREW	
27	506 60 71-01	2	SPRINT	
28	504 72 31-01	1	GAS STRUT	
29	732 21 16-01	1	NUT	
30	504 70 34-02	2	BRACKET compl	
31	725 53 66-05	1	SCREW IHSCM	

C AUTOMOWER SOLAR HYBRID
CHASSIS UPPER



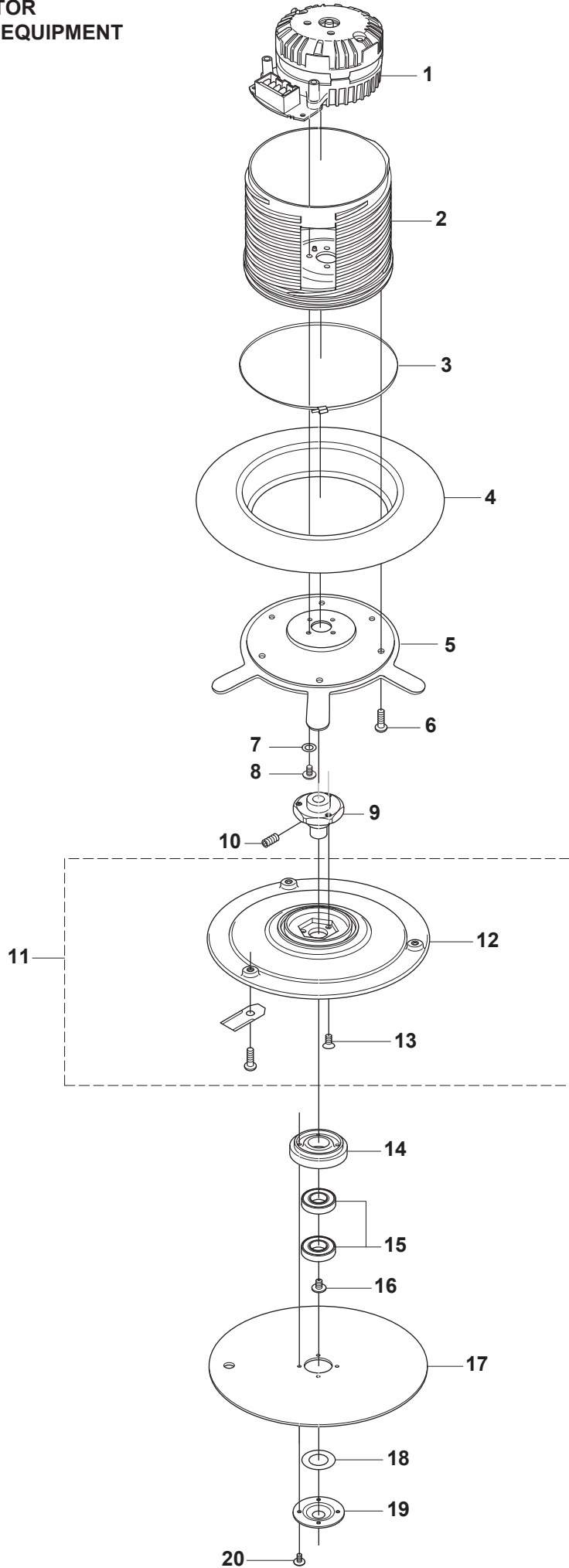
Page C AUTOMOWER SOLAR HYBRID CHASSIS UPPER				
Position		Quantity	Notes	Kit
1	544 90 01-01	1	KEYBOARD	6
2	577 52 72-01	1	CABLE CLAMP	
3	535 10 17-01	1	CAP	8
4	574 45 01-01	4	SCREW ITXPANT	
5	575 98 63-01	10	SEALING STRIP	6
6	575 94 42-01	1	DISPLAY COVER compl	
7	535 14 47-01	1	FILTER	
8	505 45 79-03	1	CABLE	
9	535 12 39-01	1	MAIN SWITCH compl	
10	540 06 03-03	1	DISPLAY	
11	577 67 06-01	2	RUBBER DAMPER	16
12	575 54 33-14	8	SCREW	
13	505 17 43-01	2	RING FASTENER	
14	506 49 53-01	2	RUBBER GAITERS	16
15	503 22 66-01	2	SQUARE NUT	16
16	577 59 84-03	2	COLUMN compl	16
17	579 24 88-01	2	COLUMN	
18	535 14 32-01	2	DEFLECTION LIMITER	
19	510 74 70-00	1	LOCKWASHER	
20	544 14 15-01	2	SENSOR compl	
21	535 12 22-01	1	STEERING WHEEL	
22	574 45 01-01	16	SCREW ITXPANT	
23	575 94 38-01	1	CHASSIS	
24	544 12 69-01	1	WIRING	
25	578 78 90-01	2	PRINTED CIRCUIT ASSY	
26	535 07 60-02	2	SCREW	
27	578 78 90-01	1	PRINTED CIRCUIT ASSY	
28	535 12 79-01	1	BRACKET	
29	575 54 33-14	1	SCREW	

D AUTOMOWER SOLAR HYBRID CHASSIS LOWER



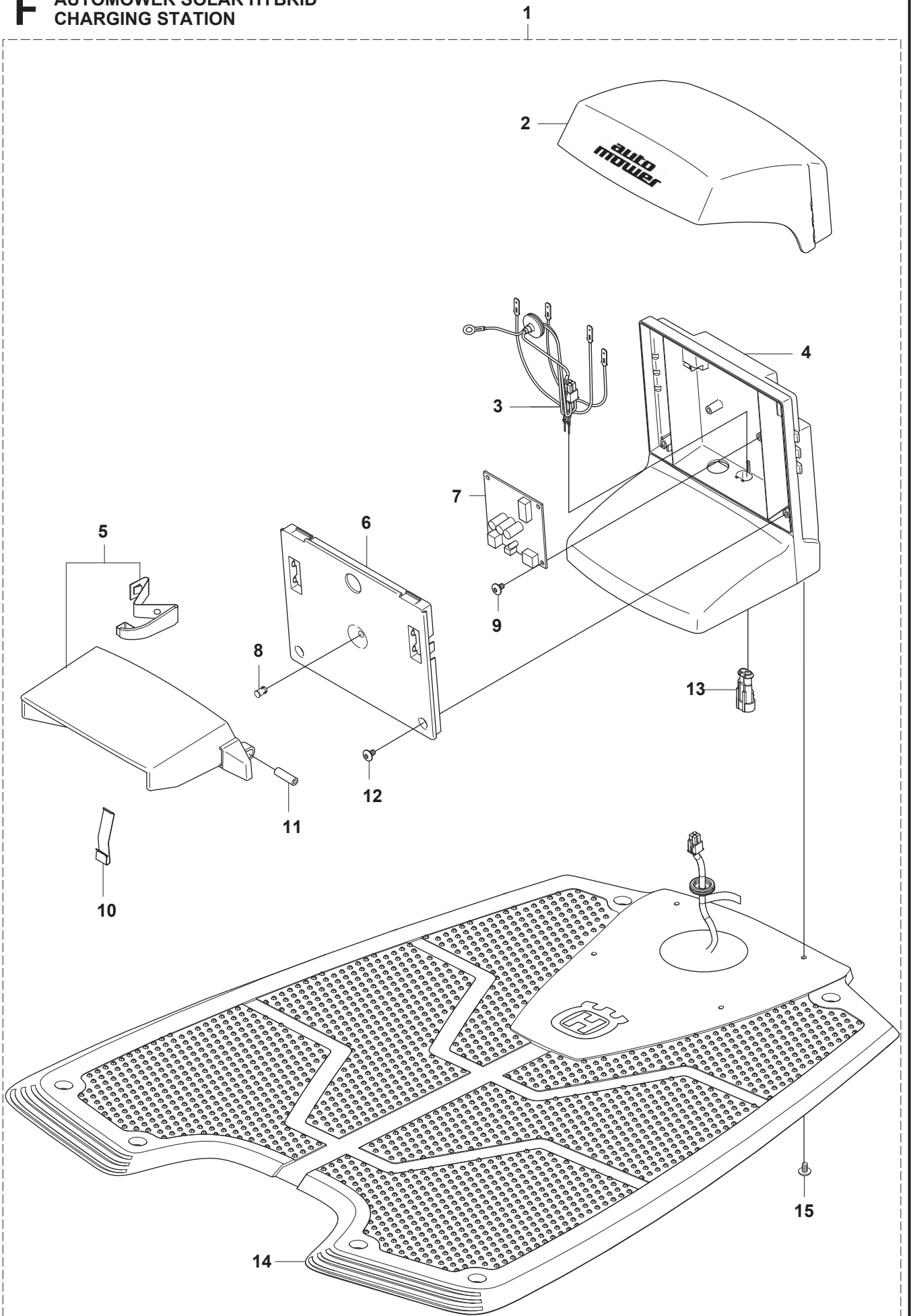
Page D AUTOMOWER SOLAR HYBRID CHASSIS LOWER				
Position	Article	Quantity	Notes	Kit
1	575 24 24-02	1	GPS UNIT compl	
2	522 59 71-01	2	SCREW	1
3	522 59 72-01	2	WASHER	1
4	535 12 21-02	1	NUT	
5	501 00 37-03	1	MAIN WIRING Linix	
	501 00 37-02	1	MAIN WIRING Dunker	
6	578 05 61-01	1	CLIP	
	578 05 61-02	50	CLIP	
7	578 78 61-01	1	PRINTED CIRCUIT ASSY	
8	575 54 33-10	4	SCREW	
9	575 54 33-14	2	SCREW	
10	544 90 78-01	2	BRACKET	
11	535 12 09-01	1	BATTERY	
12	535 13 96-01	1	CABLE HOLDER	
13	535 13 03-14	1	SCREW ITXPANT	
14	535 12 24-01	1	LOCKING SPRING	
15	575 54 33-10	2	SCREW	
16	578 78 88-01	2	PRINTED CIRCUIT ASSY	
17	502 85 96-01	2	SCREW	
18	501 00 42-01	1	Buzzer	
19	579 52 12-01	1	NUT	
20	735 58 41-09	2	WASHER	26
21	734 11 52-09	2	WASHER	26
22	522 50 50-01	2	BALL BEARING	26
23	522 50 50-01	2	BALL BEARING	26
24	535 08 78-02	2	WASHER	26
25	522 50 48-01	2	SPINDLE	26
26	522 66 45-02	1	KIT compl	
27	575 23 17-01	2	WHEEL ASSY	26
28	523 34 37-01	1	BEARING KIT compl	26
29	535 08 78-02	2	WASHER	26,28
30	522 50 50-01	2	BALL BEARING	26,28
31	522 50 50-01	2	BALL BEARING	26,28
32	535 08 78-02	2	WASHER	26,28
33	521 93 31-01	2	COVER WASHER	26,28
34	575 50 76-01	6	SCREW ITXPANT	
35	574 44 98-01	2	WHEEL	
36	574 42 74-01	1	PLUG	
37	734 11 37-41	1	WASHER	
38	575 54 33-14	1	SCREW	
39	575 94 39-01	1	CHASSIS	
40	535 13 92-03	2	GASKET	
41	575 54 33-16	8	SCREW	
42	502 63 36-01	2	DRIVE MOTOR compl, Linix	
	535 13 72-02	2	MOTOR Dunker	
43	502 49 81-01	1	GABLE	40
44	544 90 68-02	1	HUB	40
45	544 90 58-03	2	REAR WHEEL	
46	544 90 51-02	2	HUB CAP	
47	535 13 94-01	2	SCREW IHCSFM	
48	504 20 08-01	2	COVER WASHER	

E AUTOMOWER SOLAR HYBRID
BLADE MOTOR
& CUTTING EQUIPMENT



Page E AUTOMOWER SOLAR HYBRID BLADE MOTOR & CUTTING EQUIPMENT				
Position	Article	Quantity	Notes	Kit
1	535 12 36-01	1	CUTTING Motor	
2	510 14 41-01	1	MOTOR BOWL	
3	525 25 14-01	1	TIE WRAP	
4	535 12 23-01	1	RUBBER GAITERS	
5	522 77 15-02	1	PLATE	
6	575 54 33-14	6	SCREW	
7	734 11 37-41	4	WASHER	
8	502 23 91-01	4	SCREW	
9	535 07 55-01	1	HUB	
10	728 82 85-01	1	SCREW IHSETM	
11	535 13 85-01	1	BLADE DISK, KIT compl	
12	535 12 63-01	1	BLADE DISK	11
13	535 13 05-01	3	SCREW	11
14	535 12 64-01	1	BEARING BOX	
15	535 07 57-02	1	BALL BEARING	
16	535 07 60-01	1	SCREW	
17	535 07 59-01	1	SKID PLATE	
18	535 08 25-01	1	GASKET	
19	535 08 15-01	1	COVER WASHER	
20	575 54 33-10	4	SCREW	

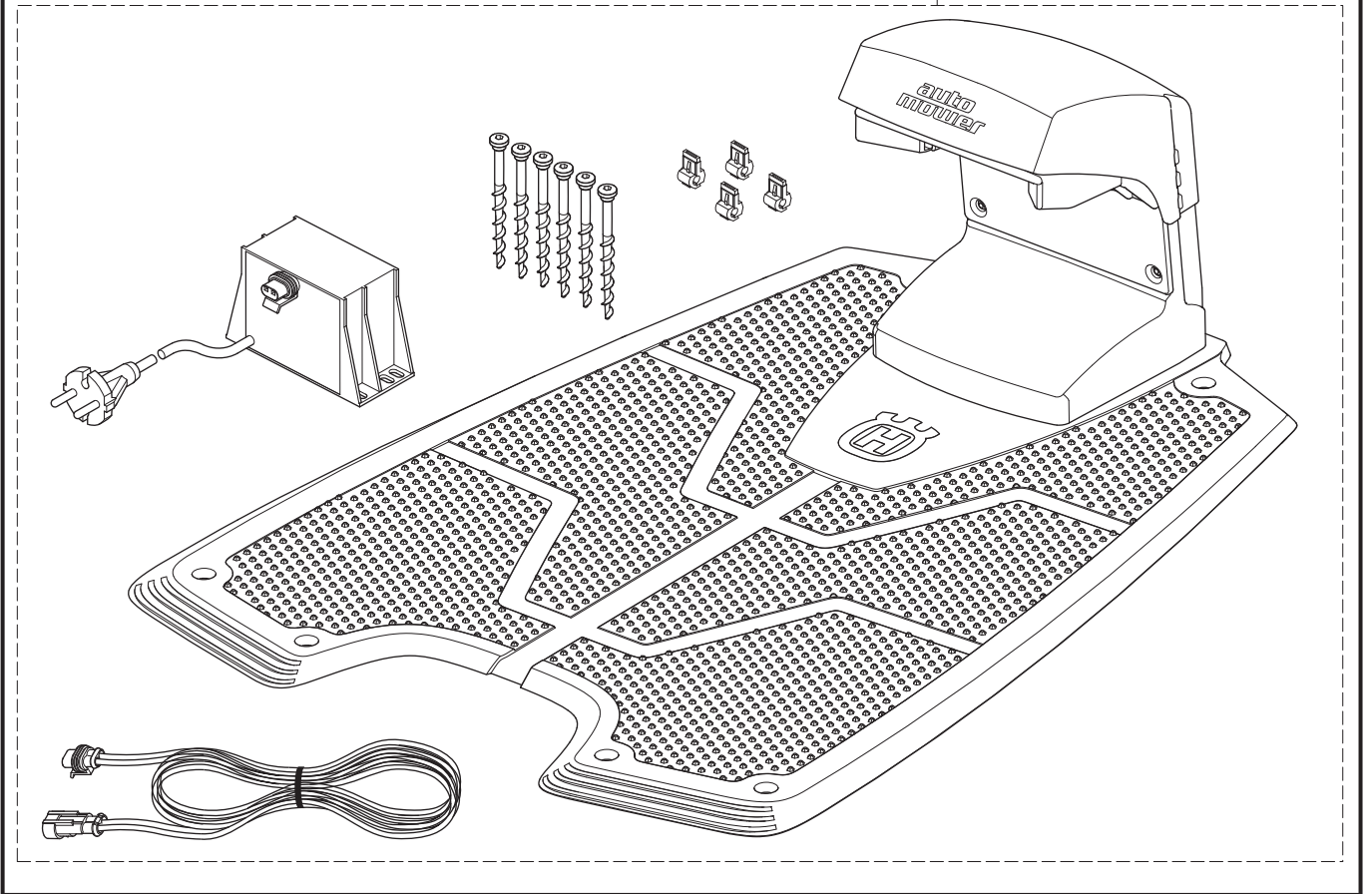
F AUTOMOWER SOLAR HYBRID
CHARGING STATION



Page F AUTOMOWER SOLAR HYBRID CHARGING STATION				
	Article	Quantity	Notes	Kit
1	574 90 20-02	1	CHARGING STATION	
	574 90 20-05	1	CHARGING STATION (CH)	
2	535 12 47-02	1	COVER	
3	544 98 38-07	1	WIRING ASSY	
	544 98 38-09	1	WIRING ASSY (CH)	
4	574 82 75-01	1	BODY	
5	510 05 97-02	1	KIT, Charging Plate	
6	535 12 44-01	1	CAP	
7	578 78 84-01	1	PRINTED CIRCUIT ASSY	
	578 78 86-01	1	PRINTED CIRCUIT ASSY (CH)	
8	535 12 87-02	1	DIODE LENS	
9	575 54 33-10	2	SCREW	
10	535 12 86-01	2	SPRING PLATE	
11	535 12 50-01	2	PIN	
12	575 54 33-14	2	SCREW	
13	535 12 85-01	1	CONTACT HOUSING	
14	575 23 16-01	1	ANTENNA PLATE	
15	575 54 33-14	4	SCREW	

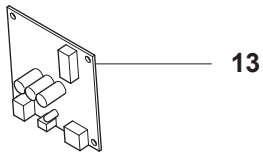
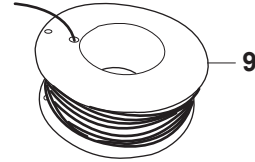
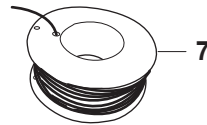
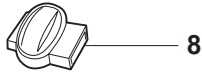
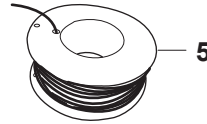
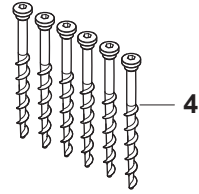
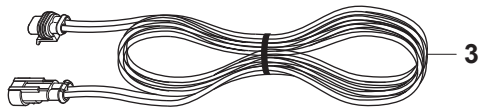
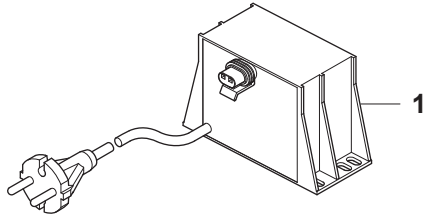
G AUTOMOWER SOLAR HYBRID
CHARGING STATION

1



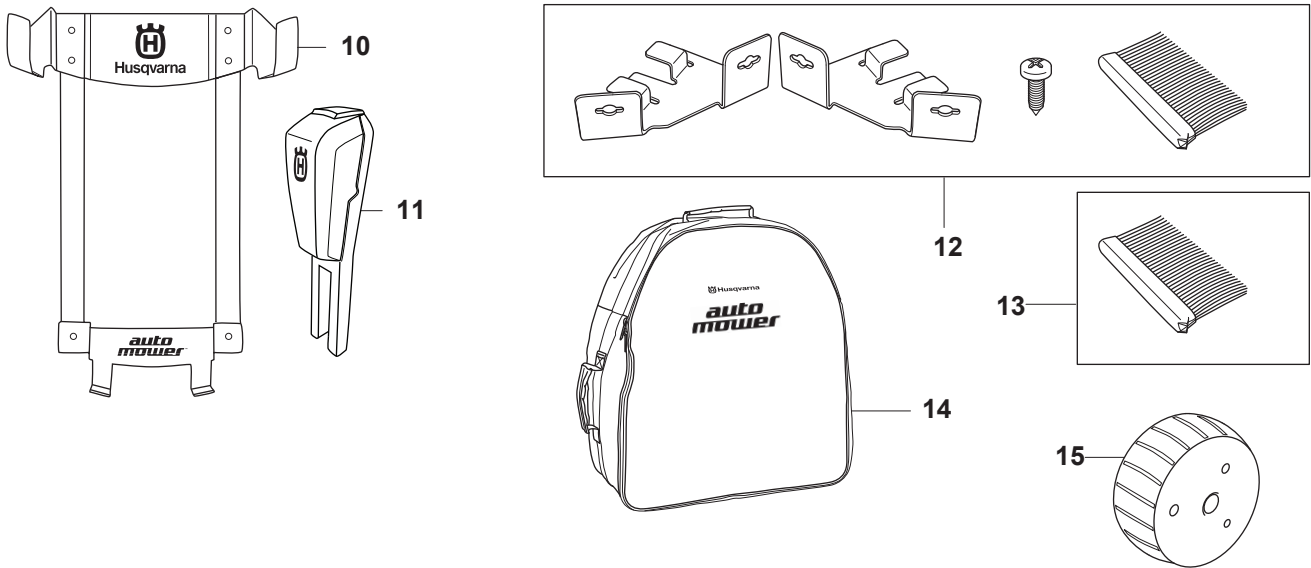
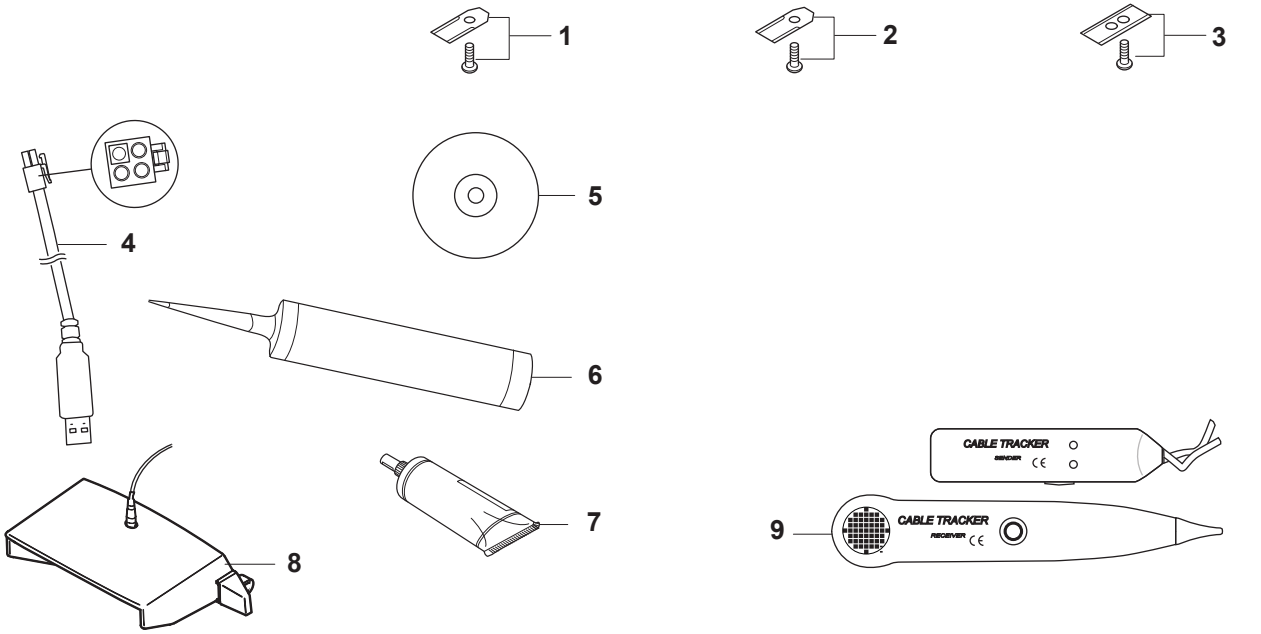
Page G AUTOMOWER SOLAR HYBRID CHARGING STATION				
Position	Article	Quantity	Notes	Kit
1	575 55 09-01	1	CHARGING STATION KIT (EU)	
	575 55 09-02	1	CHARGING STATION KIT (UK/IRL)	
	575 55 09-03	1	CHARGING STATION KIT (CH)	
	575 55 09-04	1	CHARGING STATION KIT (US/CA/MX)	
	575 55 09-05	1	CHARGING STATION KIT (AU/NZ)	

H AUTOMOWER SOLAR HYBRID ACCESSORIES



Page H AUTOMOWER SOLAR HYBRID ACCESSORIES				
Position	Article	Quantity	Notes	Kit
1	535 12 37-01	1	TRANSFORMER (EU)	
	535 12 37-02	1	TRANSFORMER (UK/IRL)	
	535 12 37-03	1	TRANSFORMER (CH)	
	535 12 37-04	1	TRANSFORMER (US/MX)	
	535 12 37-05	1	TRANSFORMER (AU/NZ)	
2	504 04 97-01	100	STAPLE	
3	535 12 73-06	1	WIRING (20m)	
4	575 23 86-01	6	SCREW KIT	
5	501 98 03-02	1	WIRE (150m)	
6	535 12 90-01	1	CONTACT	
7	501 98 03-01	1	WIRE (250m)	
8	501 98 02-01	1	COUPLER	
9	522 91 41-01	1	WIRE (500m, Ø3.4 mm)	
10	501 98 02-02	50	COUPLER	
11	544 17 75-01	1	MEASURING TAPE	
12	535 13 16-01	1	LABEL	
13	578 78 86-01	1	CS CB Thunder lightning protection	

**AUTOMOWER SOLAR HYBRID
ACCESSORIES**



Page I AUTOMOWER SOLAR HYBRID ACCESSORIES				
Position	Article	Quantity	Notes	Kit
1	535 13 87-02	9	BLADE, 9pcs	
	535 13 88-02	30	BLADE, 30pcs	
	505 12 78-02	500	BLADE, 500pcs	
2	577 60 64-02	9	BLADE, Thick, 9pcs	
	577 60 65-02	30	BLADE, Thick, 30pcs	
	577 60 66-02	300	BLADE, Thick, 300pcs	
3	522 85 16-02	9	BLADE, 9pcs	
	522 85 17-02	30	BLADE, 30pcs	
	522 85 18-02	300	BLADE, 500pcs	
4	535 13 23-02	1	Service cable (USB)	
5	577 85 81-01	1	Autocheck EXP DVD	
6	578 05 13-02	1	GREASE TUBE (300 ml)	
7	578 05 13-01	1	GREASE TUBE (85 ml)	
8	522 73 65-01	1	ADAPTER PIN code transfer unit	
9	577 60 68-01	1	Interruption detector	
10	504 82 13-01	1	WALL BRACKET ASSY	
11	522 42 58-01	1	Signal booster	
12	505 13 27-01	1	BRUSH KIT	
13	505 13 28-01	6	BRUSH	
14	522 91 67-01	1	BAG	
15	575 23 17-02	1	Heavy wheel (400g)	